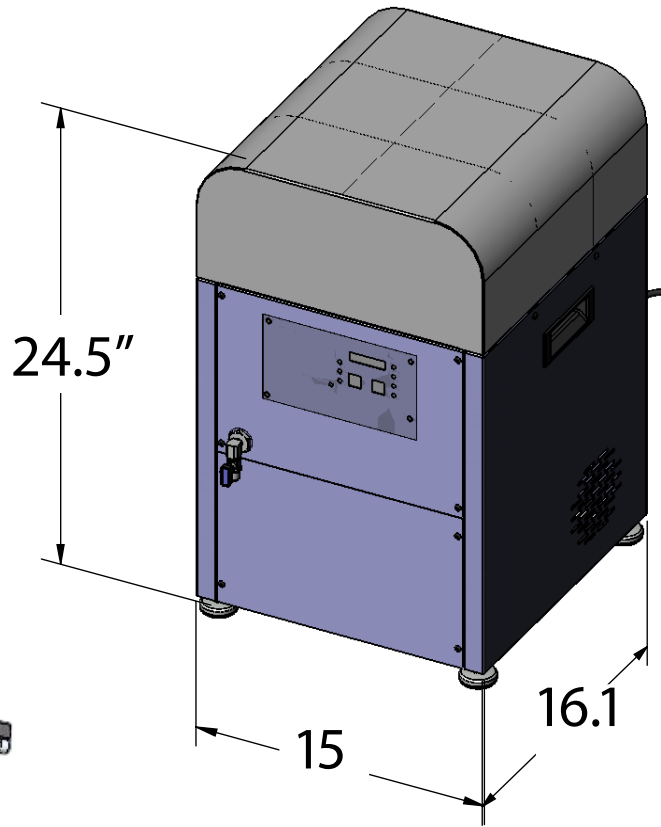




wine-by-the-glass system

Cut Sheet



Electrical Requirement:
115V/60Hz - 2.9A
6 foot North American
cord supplied

unit weight: 68 lbs

